

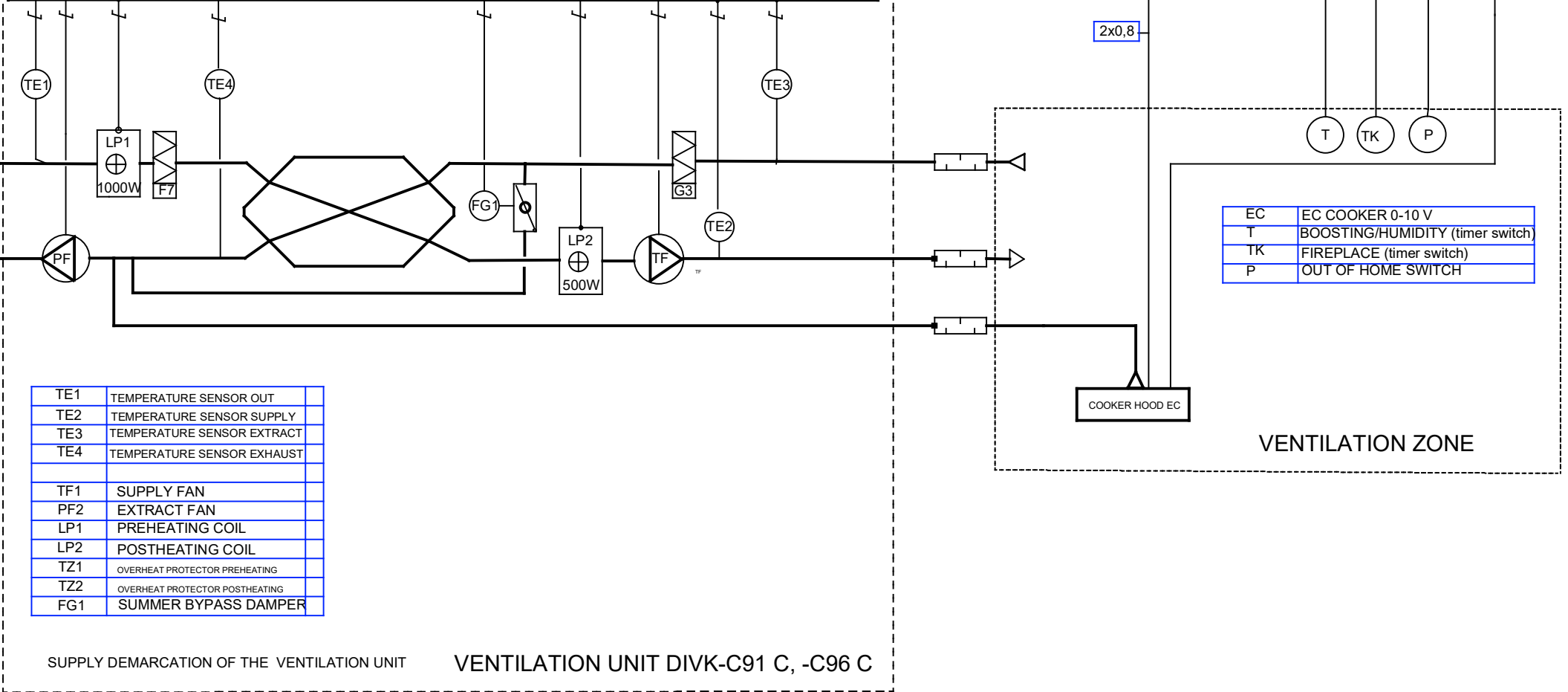
CONTROL CHART

REMOTE CONTROL CENTER

ALARM	◆
INDICATION	
CONTROL	
MEASURING	
ADJUSTMENT	

10 A 230V 50Hz GROUP CENTER

CONTROL CENTER OF THE UNIT



TE1	TEMPERATURE SENSOR OUT
TE2	TEMPERATURE SENSOR SUPPLY
TE3	TEMPERATURE SENSOR EXTRACT
TE4	TEMPERATURE SENSOR EXHAUST
TF1	SUPPLY FAN
PF2	EXTRACT FAN
LP1	PREHEATING COIL
LP2	POSTHEATING COIL
TZ1	OVERHEAT PROTECTOR PREHEATING
TZ2	OVERHEAT PROTECTOR POSTHEATING
FG1	SUMMER BYPASS DAMPER

EC	EC COOKER 0-10 V
T	BOOSTING/HUMIDITY (timer switch)
TK	FIREPLACE (timer switch)
P	OUT OF HOME SWITCH

SUPPLY DEMARCATION OF THE VENTILATION UNIT

VENTILATION UNIT DIVK-C91 C, -C96 C

VENTILATION ZONE

COOKER HOOD EC