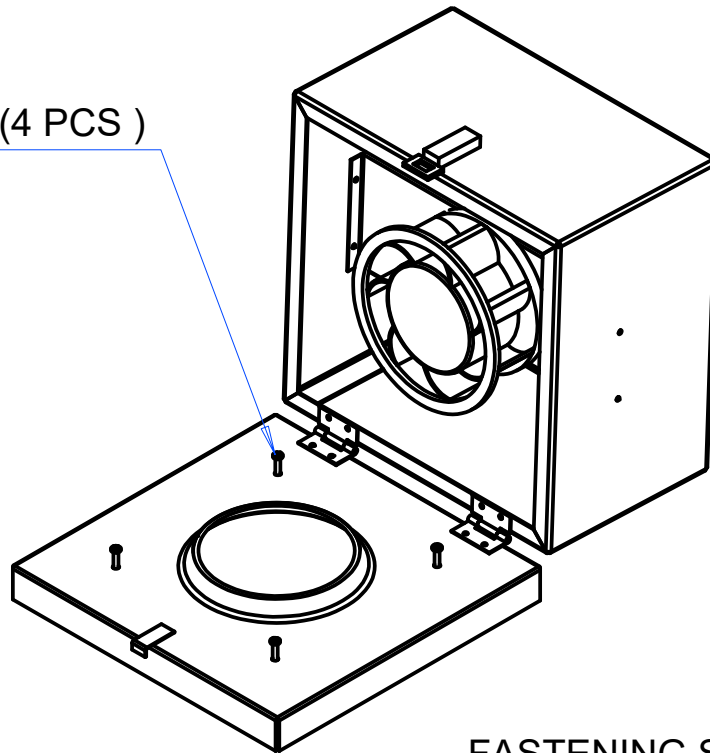


FASTENING SCREWS(4 PCS )

DHI-216



INSEAL-SEALING STRIPS

FASTENING SCREWS(4 PCS )

DAK-190

