

COOKER HOOD ULTRA KTL

Control hood for multifloor building

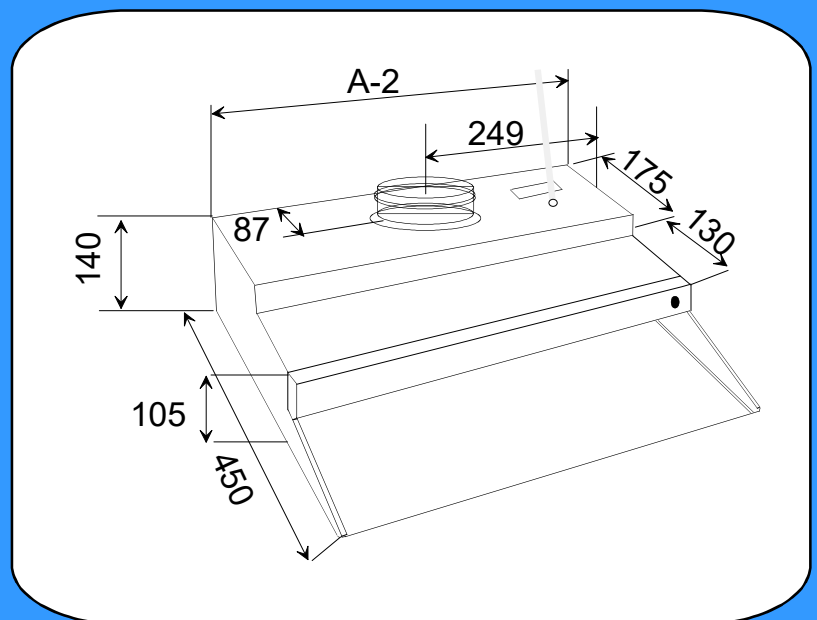
LVI Ultra KTL-500 7903429

LVI Ultra KTL-600 7903430



ULTRA KTL

- Mounting frame for valve
- Fluorecent tube LED 4 W
- Washable grease filter
- Plug connection
- Color white
- Width 500 and 600 mm
- Ductwork connection with rubber sealing 125 mm



We are constantly developing our products and we reserve the right to make changes

Deekax Air Oy
Patruunapolku 4
79100 Leppävirta
Tel. 0207 912550

www.deekaxair.fi

deekax@deekaxair.fi

