

DTT-200 THE HOUSE EXTRACTION FAN

LVI 7903104



DTT-200



Ventilation extractor

Exhaust air adjustment as required with cooker hood DX-ULTRA PTL, DX-ULTRA PC AC or DX-ULTRA PG AC

The ready-to-use fan section raised over the cooker hood and connected to the cooker hood with plug connector.

The fan section is compatible with cooker hood widths of 500 or 600 mm.

The encased fan section with electrical appliances can be easily removed from the cooker hood.

Cooker hood DX-Ultra PG AC

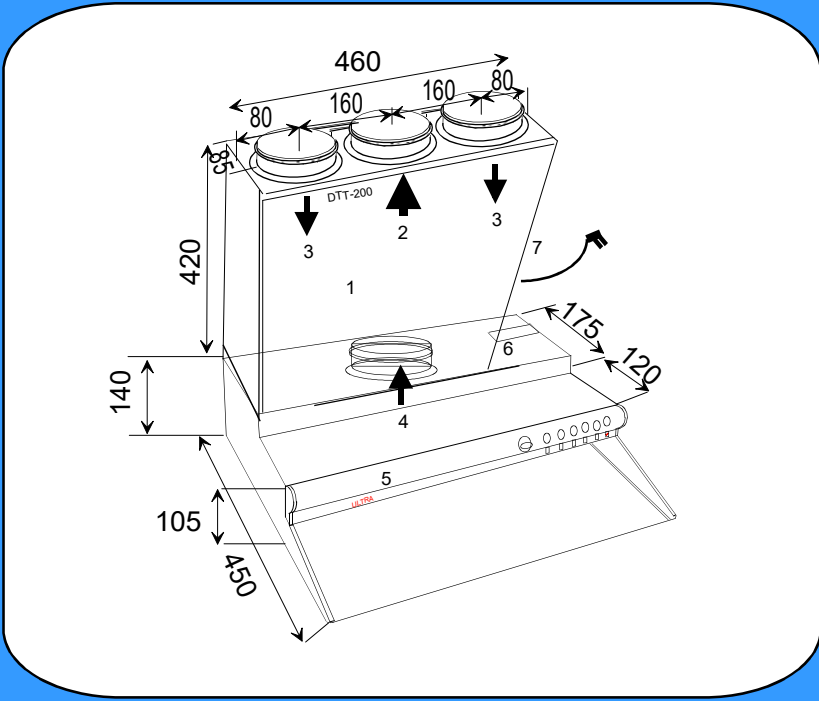


Cooker hood DX-Ultra PTL



Cooker hood DX-Ultra PC AC

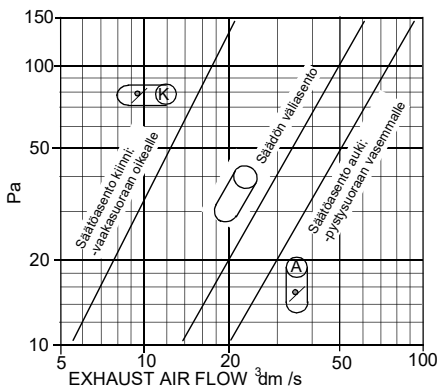




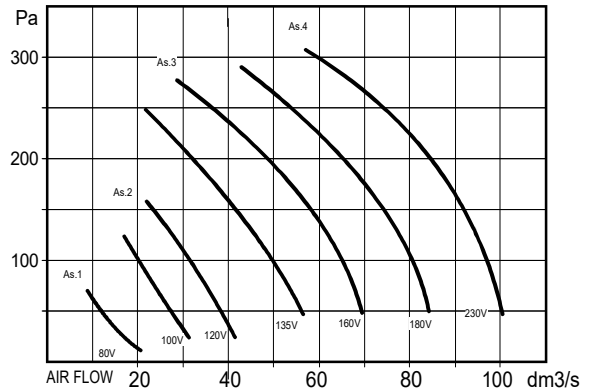
MACHINE PARTS AND TECHNICAL DATA

- 1 The fan part of the house extraction fan DTT-200 230V/ 135W
- 2 Exhaust air ϕ 125 mm
- 3 Extract air to the house extraction fan ϕ 125 mm
- 4 Extract air from the cooker hood
- 5 Cooker hood DX-ULTRA PTL, PC AC or PG AC, widths 500 or 600 mm
- 6 Plug connector
- 7 Power cord 1,2m

EXHAUST AIR FLOW OF THE COOKER HOOD DX-ULTRA-PTL



DTT-200 characteristic curve



Sound level in the room with different operating voltages dB(A)

80V	100V	120V	135V	160V	180V	230V
25	28	31	33	35	38	42

We are constantly developing our products and we reserve the right to make changes

Deekax Air Oy
 Patruunapolku 4
 79100 Leppävirta
 Tel. 0207 912550

www.deekaxair.fi

deekax@deekaxair.fi

