

## INSTALLATION INSTRUCTIONS FOR COOKER HOOD DX-ULTRA PTL

### COOKER HOOD

PTL cooker hood is used as a general extraction valve in the kitchen and its controls can control (supply) and exhaust fans effect. In a dwelling-specific ventilation system, the resident itself adjusts the the air change as needed.

According to regulations, ventilation must be constant operation. Soiled and moist air is removed and replaced with clean, healthy outdoor air, thus avoiding moisture damage.

Ventilation must be able to be adjusted appropriately and suitable operating positions can be found according to experience.

When you come from outside to inside you have the feel that indoor air is clean and fresh.


Intake air supply must always be ensured..


The hood PTL is equipped with;

- rubber sealed channel connection d 125 mm
- electrical connection with plug
- transformer controller (350 W) for ventilation
- working light LED fluorescent lamp G23 4 W
- metallic grease filter
- 60 min fan speed boost
- manual closing damper

### FRONT PANEL BUTTONS

 WORKING LIGHT SWITCH

 BOOST SWITCH  
- timer 60 min  
- indicator light for boost

 FAN SPEED CONTROL  
- more efficient

0000 signal lights for fan speeds

 FAN SPEED CONTROL  
- lower

### SIGNAL LIGHTS FOR FAN SPEEDS

no light THE FANS ARE STANDING  
- not in use if the minimum speed function is programmed

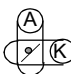
o (1) OUT OF HOUSE USE  
- avoiding moisture damage

oo (2) NORMAL OPERATING POSITIONS

ooo (3) - continuous air condition operation;  
at least 0,5 times per hour

oooo (4) BOOSTED USE  
- during efficiency positions;  
e.g. for saunas, cooking, peoples

### USE OF A COOKER HOOD CLOSING DAMPER

 - by pushing in the knob you can adjust:  
\*horizontally to the right = damper is closed,  
\*vertically to the left = damper is open  
(= cart removal during cooking)

- in normal use, the damper is in the closed position, which improves the ventilation of the other spaces.

### MINIMUM SPEED FUNCTION

(Force switching)

According to regulations, ventilation must be constant operation.

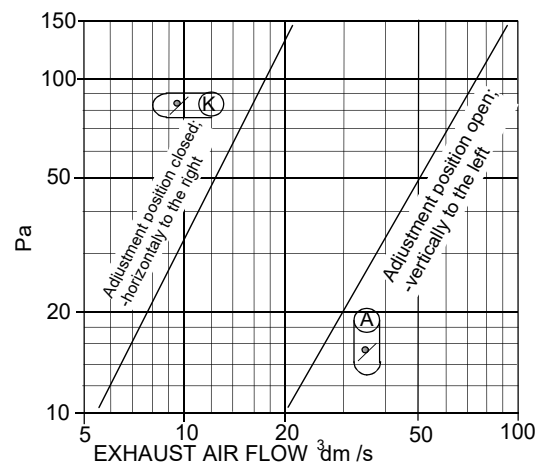
If the ventilation of the whole apartment is controlled from the hood, the cooker hood must be continuous.

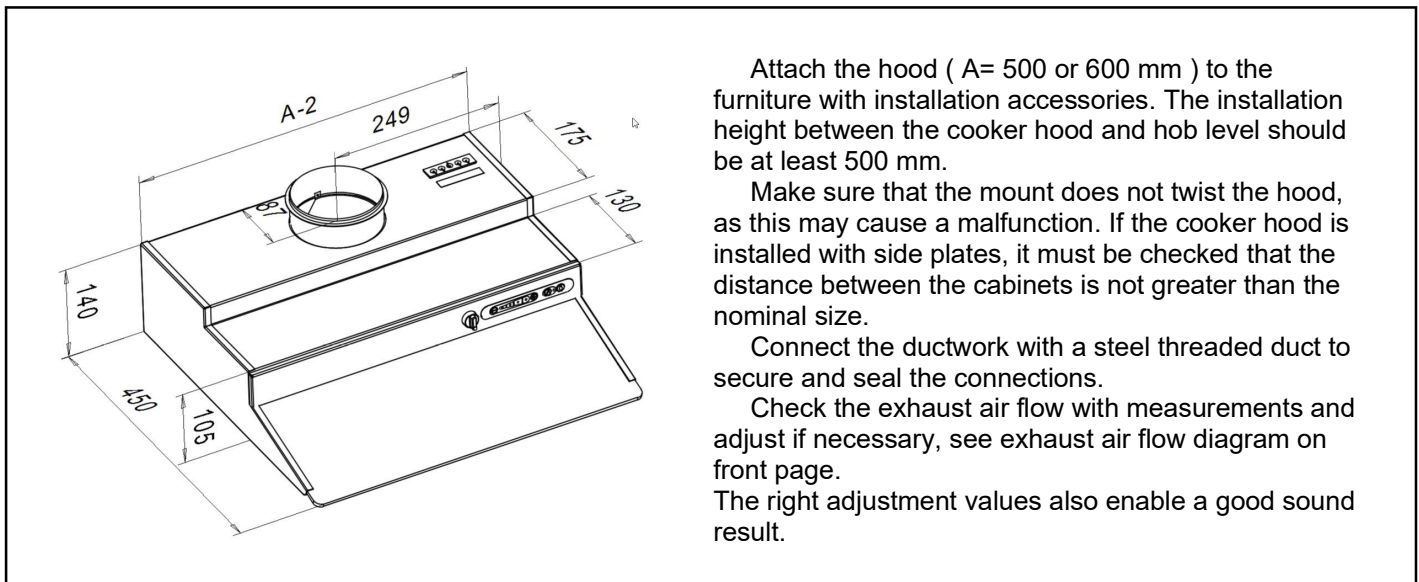
The cooker hood PTL can be programmed for continuous operation so that fans can not be switched off from the hood.

The programming can be done on the cooker hood controls

1. Boost off
2. Selected for fan speed 2 (two LEDs are on)
3. The selection is acknowledged by pressing and holding the switch of closing damper on the bottom 15 s., after which the closing dampers LED flashes briefly and thereafter the programming has been completed.

### DX-ULTRA-PTL COOKER HOOD EXHAUST AIR FLOW





Attach the hood ( A = 500 or 600 mm ) to the furniture with installation accessories. The installation height between the cooker hood and hob level should be at least 500 mm.

Make sure that the mount does not twist the hood, as this may cause a malfunction. If the cooker hood is installed with side plates, it must be checked that the distance between the cabinets is not greater than the nominal size.

Connect the ductwork with a steel threaded duct to secure and seal the connections.

Check the exhaust air flow with measurements and adjust if necessary, see exhaust air flow diagram on front page.

The right adjustment values also enable a good sound result.

### ELECTRICAL CONNECTIONS

Electrical work can be done by an installer with rights.

The supply of electricity to the ventilation device must be supplied from its own fuse of the electric center.

In case of potential damage, the warranty will be void if the unit is used in common sockets or "light group".

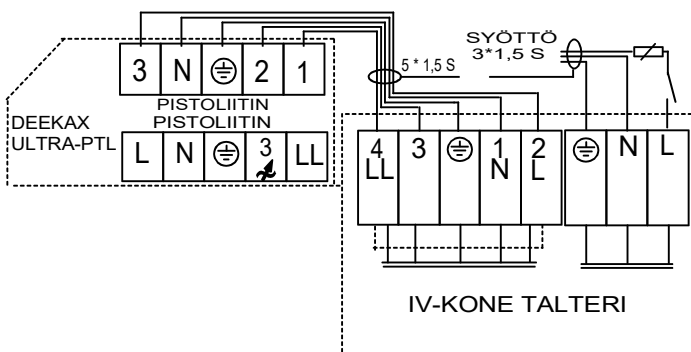
The wiring between the cooker hood and the machine is done according to the regulations following the switching instruction.

The cooker hood has a protective fuse (max. 2A) on the circuit board under the lamp holder cover.

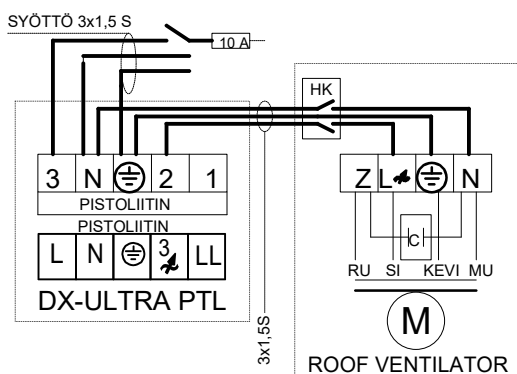
In the event of a malfunction, first check the fuse and replace the burnt one.

When using the DTT-200 house fan as an exhaust fan, install it directly on top of the hood. The electrical connections are then made with the plugs already connected. The fans of the fans are attached to the cover of the fan housing with their electrical equipment. The cover can be taken for service as a whole when its two fixing screws are opened.

ELECTRICAL CONNECTION BETWEEN THE COOKER HOOD AND THE VENTILATION UNIT



ELECTRICAL CONNECTION BETWEEN THE COOKER HOOD AND ROOF VENTILATOR



### CHANGING THE VOLTAGE OF COOKER HOOD

The cooker hood has an 8-speed transformer, of which 4 speeds have been introduced. Speed voltages can be changed by moving the wires to different terminals.

The figure shows the factory-installed voltages.

The supply cable (L) has a branch Abiko and it must be in the 230 V connector.

The transformer is located below the cooker hood under the cover plate.

