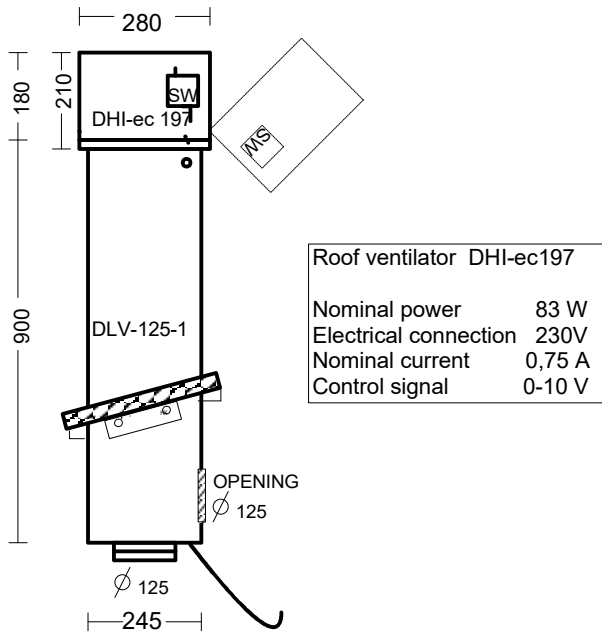


ROOF VENTILATOR DHI-ec197 INSTALLATION AND OPERATING INSTRUCTIONS

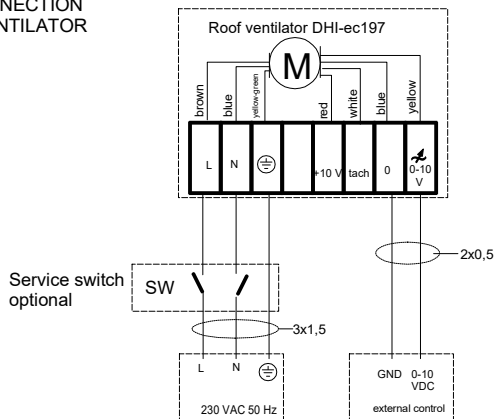


An exhaust ventilation plan and implementation of it shall be made according to the regulations of National Building Code of Finland D2. The ventilation must be continuously operational to ensure the quality of the indoor air and to prevent damages. The plan must take into account the placement of the roof ventilator and the operating positions of ventilation. Outdoor air supply routes and the amount of make up air must be ensured.

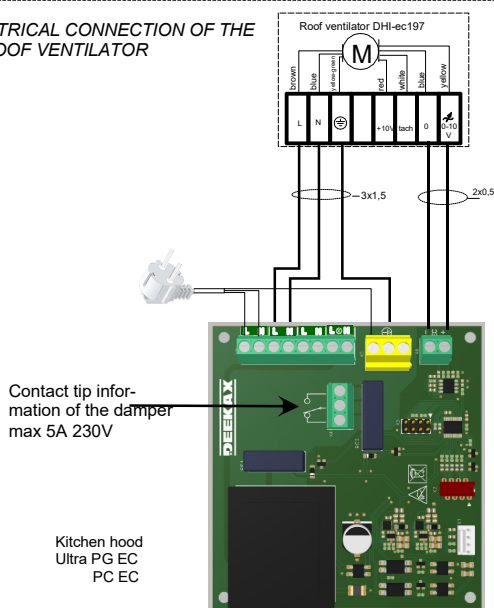
INSTALLATION OF THE ROOF GROMMET ON A TIN ROOF.

- 1) Make a rectangular opening for the roof grommet in the roof near the roof ridge
- 2) Install the grommet at the correct height above the surface of the roof so that the snow load regulations are met.
- 3) Fasten the grommet vertically with the mounting brackets and use additional support if necessary.
- 4) Connect the ducts to the grommet's bottom outlets and secure by riveting
- 5) Make a waterproof cover around the grommet according to the shape of the tin roof. If you have to install the roof grommet farther from the roof ridge, remember to install a snow and ice barrier to protect the roof grommet.
- 6) Carefully insulate the ducts in the attic.

ELECTRICAL CONNECTION OF THE ROOF VENTILATOR



ELECTRICAL CONNECTION OF THE EC ROOF VENTILATOR



INSTALLATION OF THE ROOF VENTILATOR ON THE ROOF GROMMET

- The power supply cable is routed through the grommet to the roof ventilator by removing the knockout plug from the cover or through the opening in the grommet jacket.
- Install the sealing strip on the grommet cover and mount the roof ventilator and install the cable grommet

FOR FLAT MOUNTING FRAME DAK-190

ELECTRICAL CONNECTIONS

Electrical work must be carried out by a qualified entrepreneur in accordance with the wiring diagram and regulations

USE AND MAINTENANCE OF THE ROOF FAN

The fan has a built-in thermal protector. The need for maintenance is limited to removing any dirt that may accumulate on the surface of the blade and the motor. The balance of the fan blade must be maintained! If the fan is stopped, check that the blade is not frozen when starting.