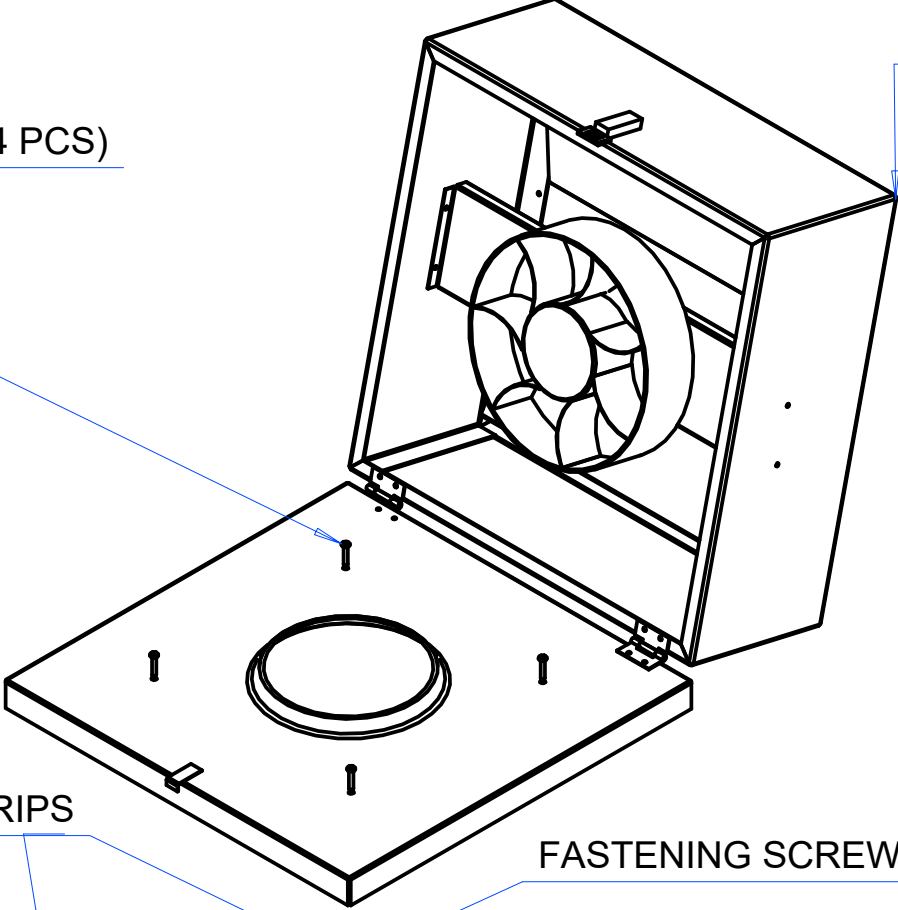


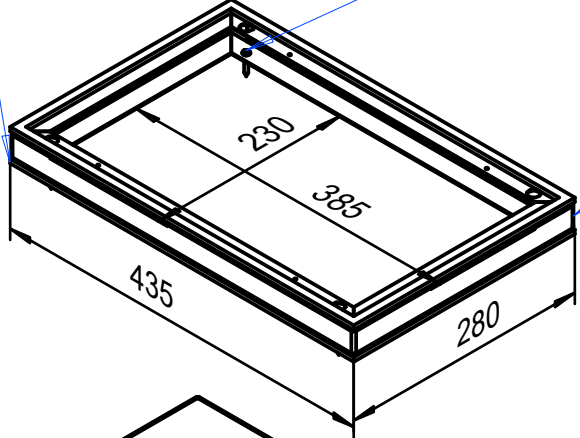
DHI-250

FASTENING SCREWS(4 PCS)



INSEAL -SEALING STRIPS

FASTENING SCREWS(4 PCS)



DAK-220

